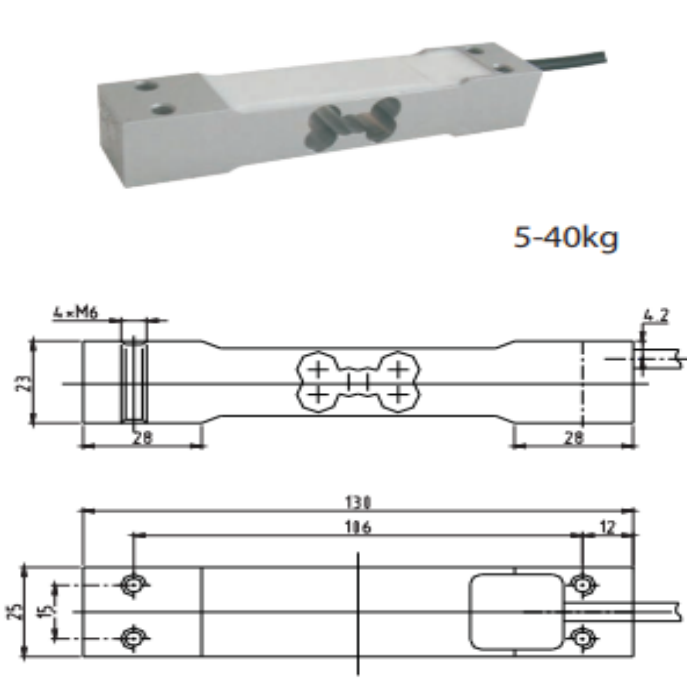
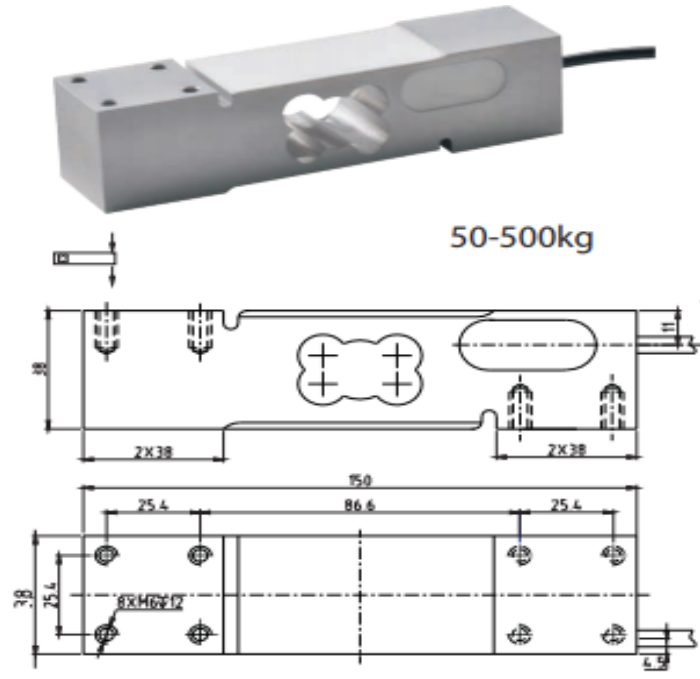


Single-point opnemer WA-51

Deze aluminium single-point krachtopnemer is veelzijdig toepasbaar, op verscheidene platform weeginstrument.



5-40kg



50-500kg

All kinds of platform scales,

TECHNICAL PARAMETER

OAP version 4Wires:Exc+(Blue);Exc-(Black);Sig+(White);Sig-(Red)

Rated capacities(Emax)	5 , 6, 8, 10 , 15, 20, 30 , 35, 40kg	Temperature range, compensated	-10°C~+40°C
Sensitivity	2.0±0.2mV/V	Temperature range, operating	-20°C~+50°C
Accuracy class	OIML C3(approving)	Maximum safe overload	150%Emax
Creep error (30min)	± 166ppm	Ultimate overload	300%Emax
Zero balance	± 3%Emax	Excitation, recommended	10V DC
TC ZERO	± 17.5ppm/°C	Excitation, maximum	15V DC
TC SPAN	+20°C~+40°C, ± 17.5ppm/°C	Protection class	IP65
	-10°C~+20°C, ± 11.67ppm/°C	Construction	Aluminium
Input resistance	404 ± 15Ω	Cable	Length: 0.5 m
Output resistance	350 ± 3 Ω		Diameter: φ 5mm
Insulation resistance	≥ 2000 MΩ (50V DC)	Installation torque, recommended	10N · m
Max platform size	300 × 300mm		
Rated capacities(Emax)	50, 60, 100, 150, 200, 250, 300, 500kg	Temperature range, compensated	-10°C~+40°C
Sensitivity	2.0±0.2mV/V	Temperature range, operating	-20°C~+50°C
Accuracy class	OIML C3(approving)	Maximum safe overload	150%Emax
Creep error (30min)	± 166ppm	Ultimate overload	300%Emax
Zero balance	± 3%Emax	Excitation, recommended	10V DC
TC ZERO	± 17.5ppm/°C	Excitation, maximum	15V DC
TC SPAN	+20°C~+40°C, ± 17.5ppm/°C	Protection class	IP65
	-10°C~+20°C, ± 11.67ppm/°C	Construction	Aluminium
Input resistance	404 ± 15Ω	Cable	Length: 1.8m
Output resistance	350 ± 3 Ω		Diameter: φ 5mm
Insulation resistance	≥ 2000 MΩ (50V DC)	Installation torque, recommended	10N · m
Max platform size	400 × 400mm		